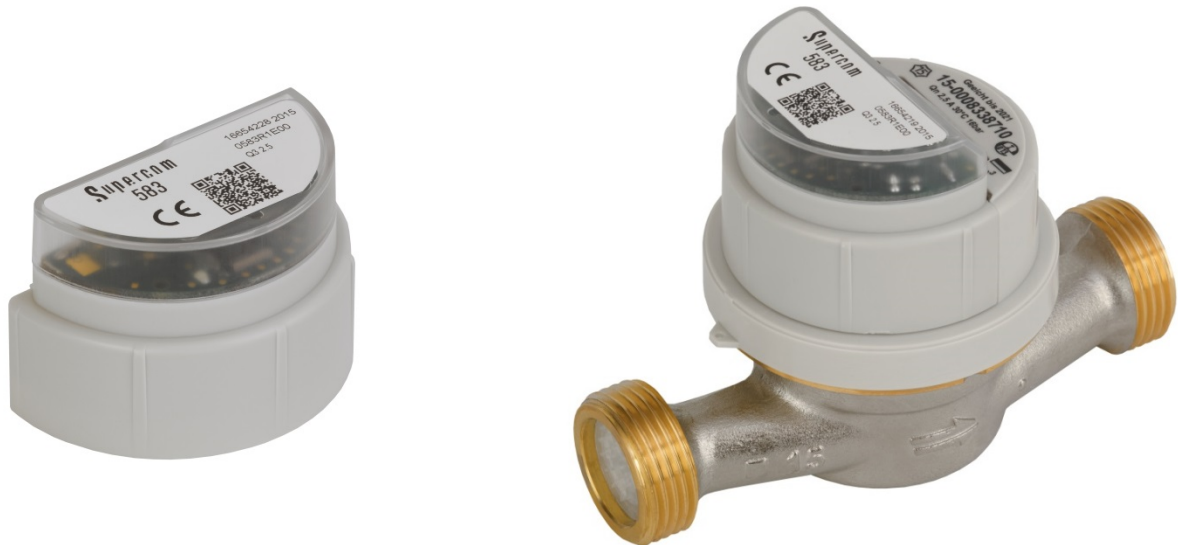


## Radio Module for Allmess water meter



### Application

The retrofittable radio module **Supercom 583** is suitable for Allmess GmbH water meters:

- System-V +m water meters.
- System-MK +m exchange single jet capsule.

It can be retrofitted at any time without impairing the calibration. The bidirectional SONTEX radio system allows the readout of the consumption data via a mobile radio modem Supercom 636 or via the radio concentrator Supercom 646.

### Function

The battery-operated radio module **Supercom 583** scans the rotation of the modulator disc of the water meter, accumulates the rotation pulses and stores the consumption data in his internal memory.

The scan guarantees a precise and correct detection of the backward and forward modulation indicator motion.

The radio module is equipped with an optical manipulation protection. If the radio module is removed and/or opened, the electronic manipulation protection triggers an error message.

### Stored Data

- Identification number (serial number of water meter).
- Medium: cold or warm water.
- Serial number (radio module address).
- Current time and date.
- Accumulated volume.
- Set day.
- Volume at set day.
- 15 monthly values.
- Operating hours of battery.
- Manipulation protection: date of the last manipulation and the accumulated duration of all manipulations in minutes.
- Pulse value.
- Number of counter resets.
- Error code.
- Firmware version.
- Commissioning date.
- Accumulated volume and date at the last programming of volume.
- Accumulated volume before the last programming of volume.

**Programming data**

With the software Tools Supercom following parameters can be programmed:

- Water meter ID.
- Medium: cold or warm water.
- Current date and time and set day.
- Initialisation of the totalizer, the set day value and of the 15 monthly values.
- Reset to delivery (sleeping) mode or set to operating mode.
- Password for the secured access to the programming.

**Technical Data**

**General**

Permanent flow	MID: Q <sub>3</sub> 2.5 m <sup>3</sup> /h - 4 m <sup>3</sup> /h
Nominal flow	EWG: Q <sub>n</sub> 1.5m <sup>3</sup> /h - 2.5m <sup>3</sup> /h
Pulse value	1 l/Imp
Operating temperature	5 to 55°C
Storage temperature	-20 to 70°C

**Housing**

Protection class	IP65
------------------	------

**Conformity**



acc. to RED 2014/53/EU

**Radio**

Method	FSK, bidirectional
Frequency	433.82 MHz
Protocol	Radian, EN60870-5 (M-Bus)
Baud rate	2'400 Baud
Range	approx. 30 m, depending on building structure

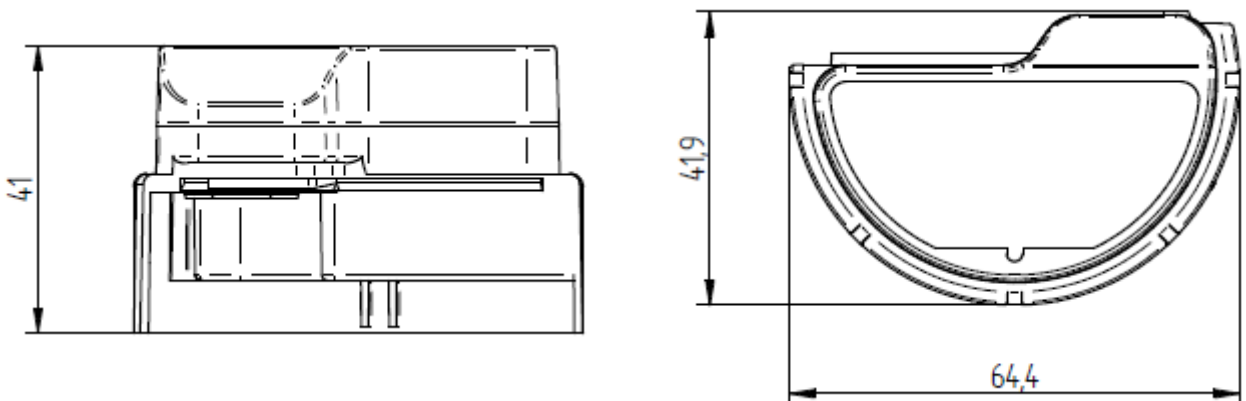
**Data Memory**

FRAM	Real time storage
------	-------------------

**Electronic Data**

Main supply	Lithium Metal Battery (≤ 1g) 3VDC
Service life	Maximum 10 + 1 years

**Dimensional Drawing**



**Technical Support**

For technical support, please contact your local Sontex agent or Sontex SA directly.

**Hotline Sontex:** [sontex@sontex.ch](mailto:sontex@sontex.ch), +41 32 488 30 04

The detailed declaration of conformity can be found on our homepage: [www.sontex.ch](http://www.sontex.ch)

Technical modifications subject to change without notice

Data Sheet Supercom 583 EN 08.06.2017

© Sontex SA 2017